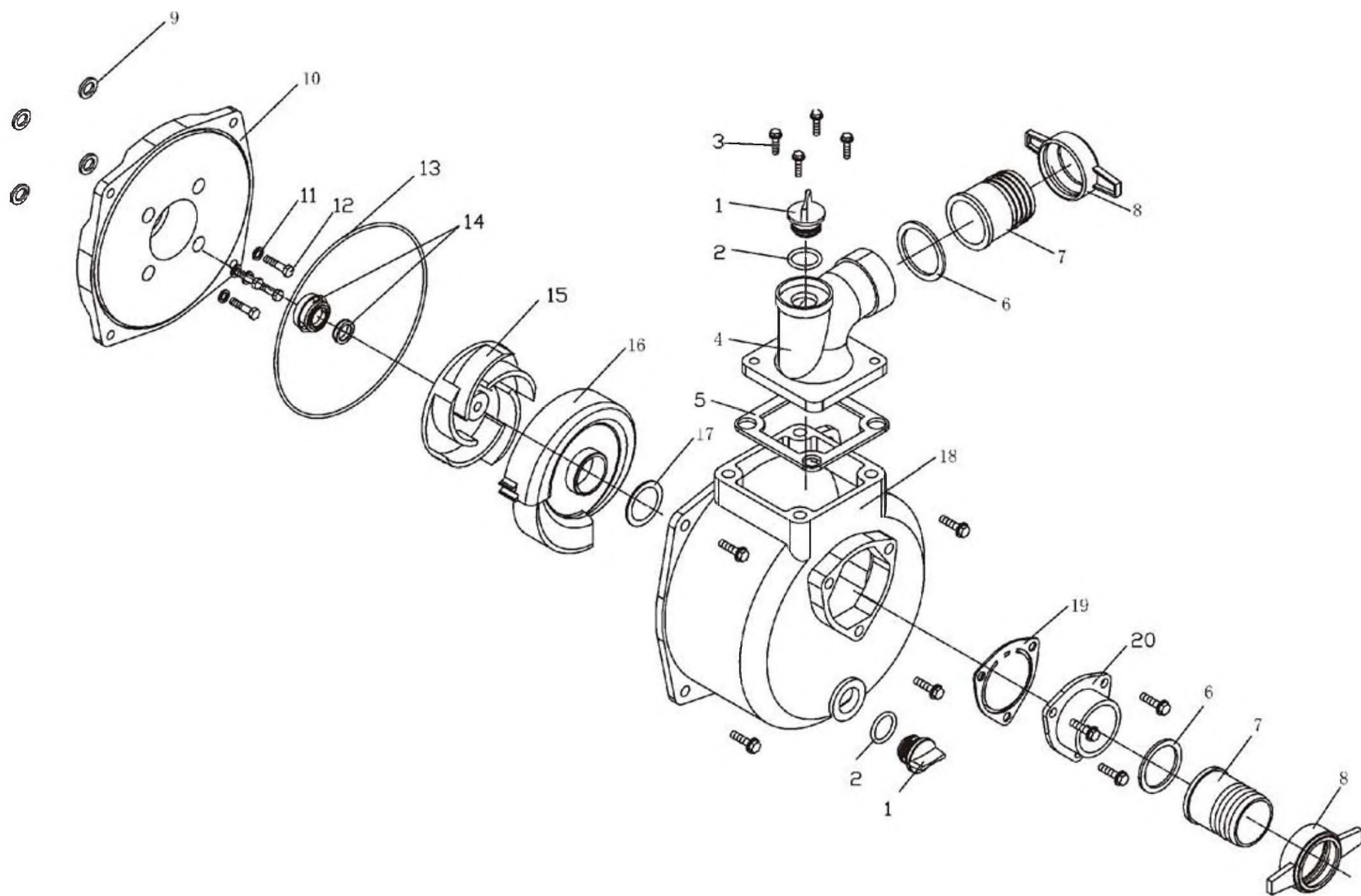
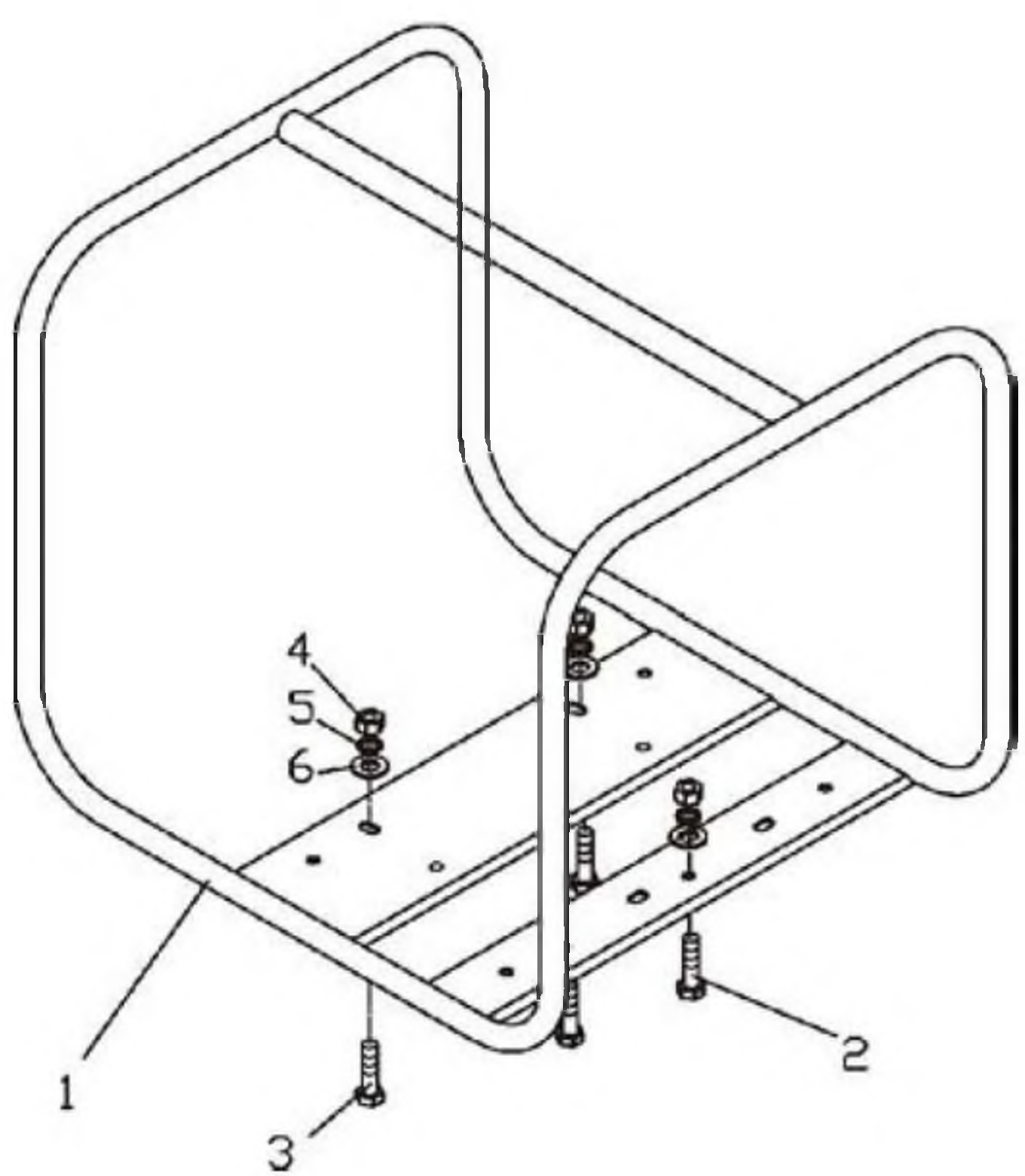


ASSEMBLY AND PARTS ALBUM



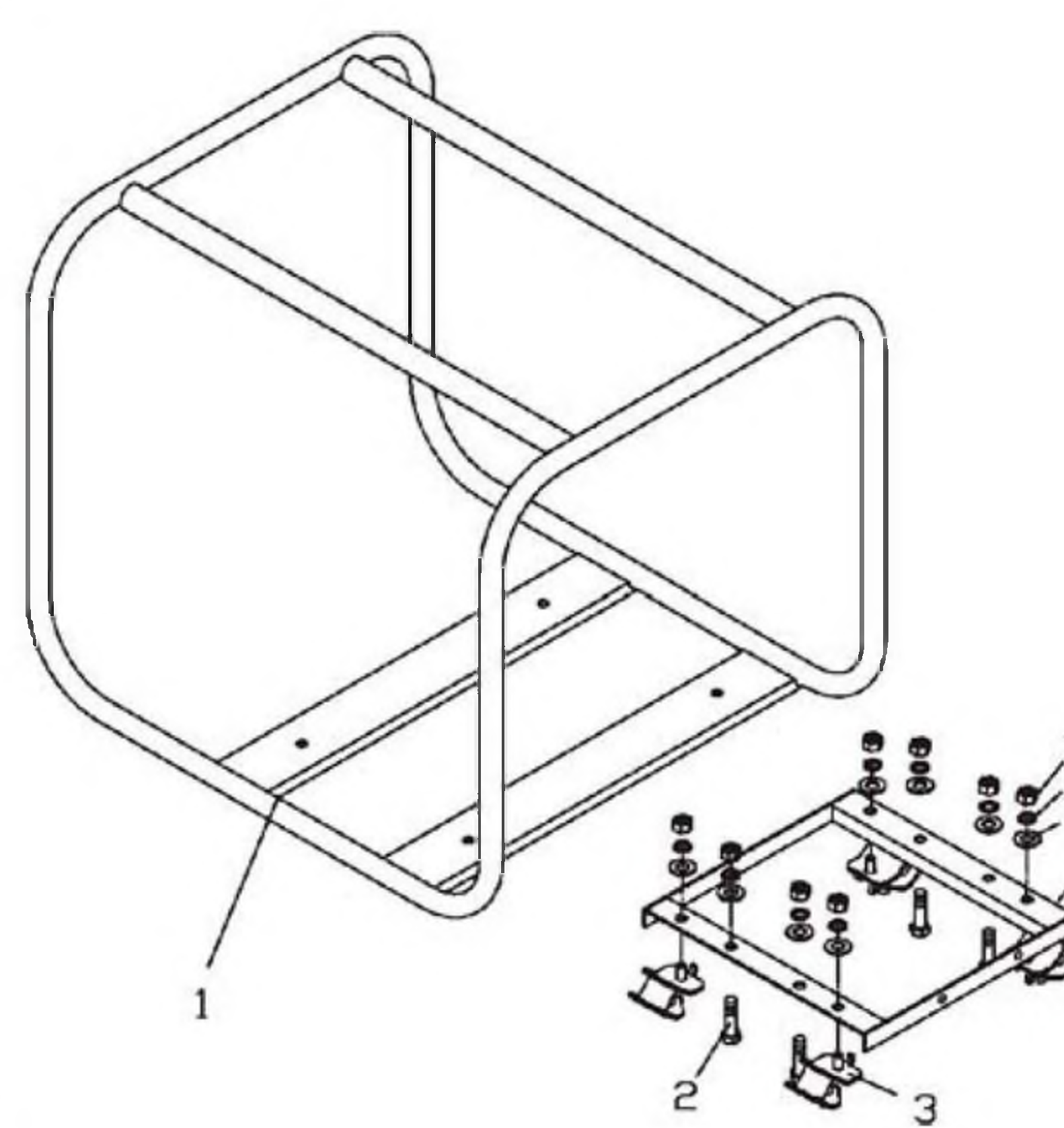
(2) 2" Pump Assembly (50SBZ-01000C)

No.	Code.	Description	Qty.
1	50SBZ-01012C	Screw Plug	2
2	GB/T3452.1-1992	O-Ring 25.8×3.55	2
3	GB/T5789-1986	Bolt M10×30	12
4	50SBZ-01005C	Drained Water Outlet Seat	1
5	50SBZ-01006C	Washer of Drained Water Outlet Seat	1
6	50SBZ-01008C	Rubber Seal Washer	2
7	50SBZ-01009C	Intake (Outlet) Pipe Joint	2
8	50SBZ-01007C	Locking Nut	2
9	50SBZ-01015	Adjusting Washer of Pump Cover	4
10	50SBZ-01001C	Pump Cover	1
11	50SBZ-01013C	Seal Washer	4
12	GB/T5789-1986	Bolt M8×35	4
13	GB/T3452.1-1992	O-Ring 218×3.55	1
14	50SBZ-01100C	Machine Seal Unit	1
15	50SBZ-01004C	Impeller	1
16	50SBZ-01003C	Diffuser	1
17	GB/T3452.1-1992	O-Ring 71×5.3	1
18	50SBZ-01002C	Pump Body	1
19	50SBZ-01200C	Flap Valve Assembly	1
20	50SBZ-01011C	Water Intake Seat	1



(3) Housing Assembly (SDP20-03000)

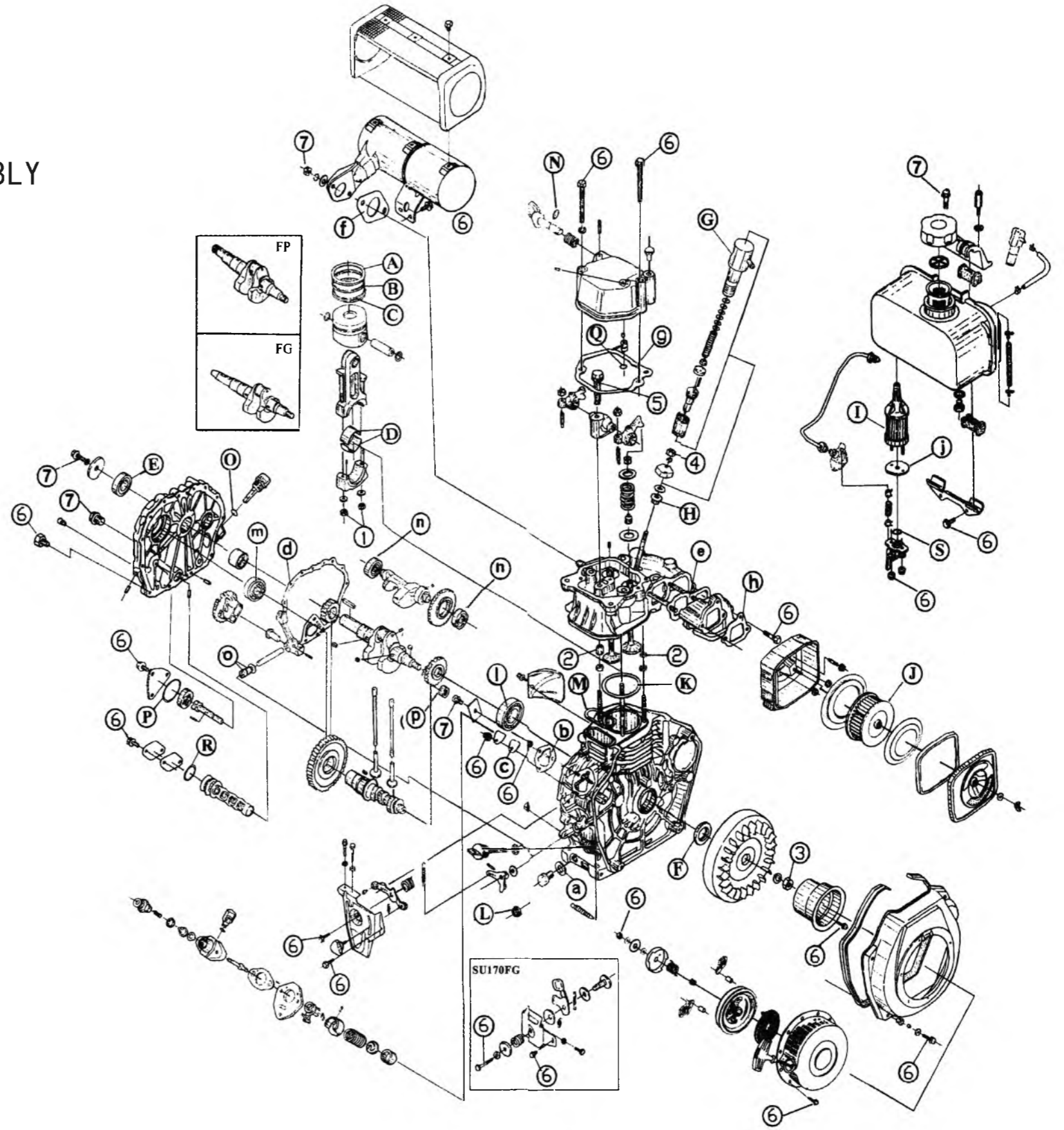
No.	Code.	Description	Qty.
1	50QBZ-01000	Housing	1
2	GB/T5781-1986	Bolt M8×35	2
3	GB/T5781-1986	Bolt M8×30	2
4	GB/T97.1-1985	Gasket 8	4
5	GB/T93-1987	Gasket 8	4
6	GB/T6170-1986	Nut M8	4



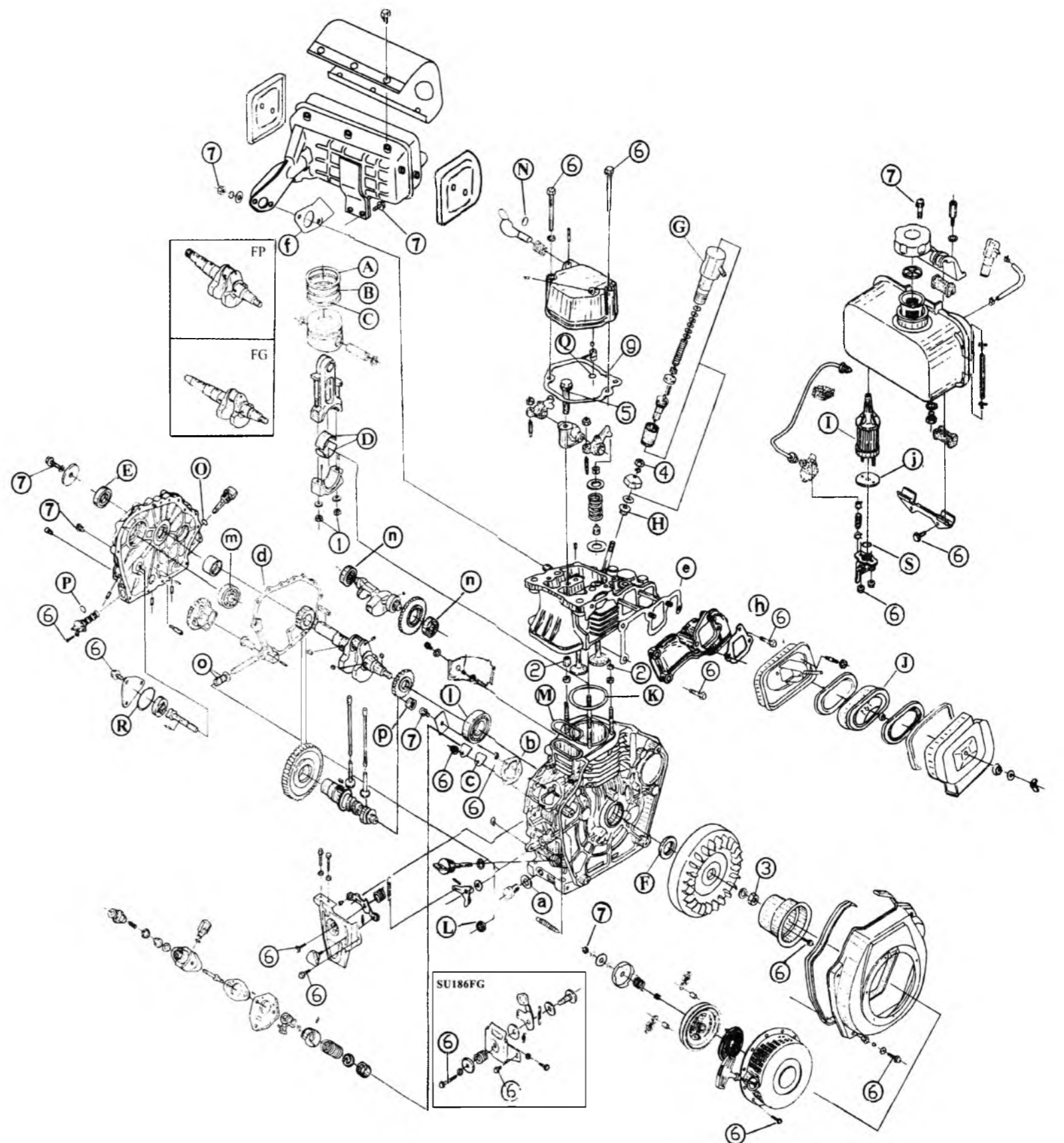
(4) Housing Assembly (SDP20-03000)

No.	Code.	Description	Qty.
1	50SBZ-03000	Housing	1
2	GB/T-5781-1986	Bolt M10×40	4
3	50SBZ-02001	Cushion	4
4	50SBZ-04000	Bracket	1
5	GB/T97.1-1985	Gasket 10	8
6	GB/T93-1987	Gasket 10	8
7	GB/T6170-1986	Nut M10	8

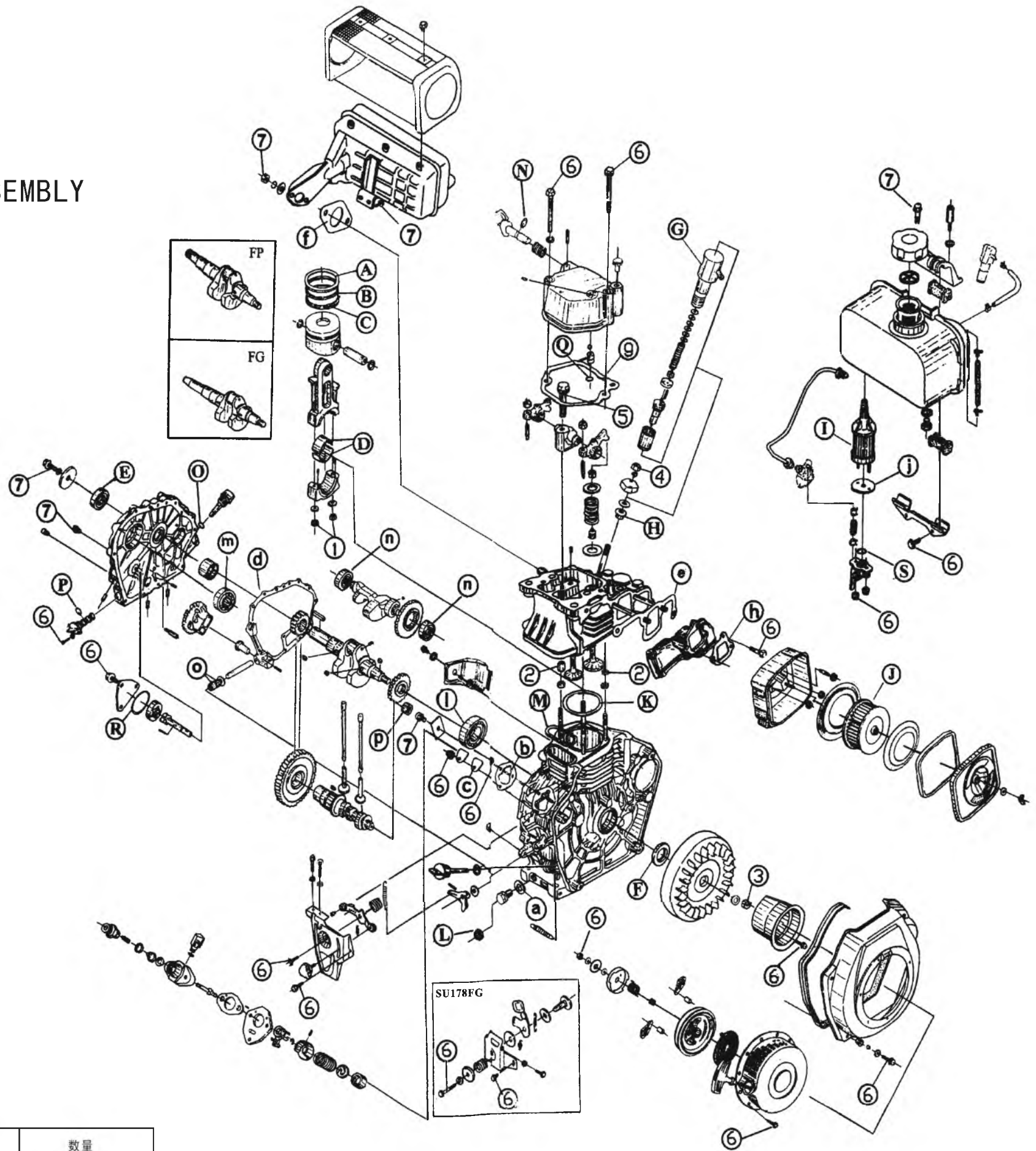
SU170 柴油机装配总成
SU170 DIESEL ENGINE ASSEMBLY



SU186 柴油机装配总成
SU186 DIESEL ENGINE ASSEMBLY



SU178 柴油机装配总成
SU178 DIESEL ENGINE ASSEMBLY



垫圈组 FULL GASKET SETS

序号 NO.	编号 CODE			名称 DESCRIPTION			英文名称 DESCRIPTION			数量 QUANTITIES		
	SU170	SU178	SU186	SU170	SU178	SU186	SU170	SU178	SU186	SU170	SU178	SU186
	a	7001100			放油螺塞垫片			Oil Plug Seal Assem			1	
b	7012001			喷油泵垫片			Fuel Injection Pump Gasket			1		
c	7012002			密封板垫片			Seal Gasket			1		
d	7001015	7801015	8601015	曲轴箱盖垫片			Crank Case Gasket			1		
e	7002014	7802014	8602014	进气管垫片			Air Intake Gasket			1		
f	7002015	7802015	8602015	消声器垫片			Silencer Gasket			1		
g	7003003		8603003	气缸盖罩垫片			Bonnet Gasket			1		
h	7007001		8607001	空气滤清器垫片			Air Cleaner Gasket			1		
i	7009002			机油滤盖垫片			Oil Filter Gasket			1		
j	7010007			柴油滤垫片			Fuel Oil Filter Gasket			1		

轴承 BEARINGS

序号 NO.	编号 CODE			名称 DESCRIPTION			英文名称 DESCRIPTION			数量 QUANTITIES		
	SU170	SU178	SU186	SU170	SU178	SU186	SU170	SU178	SU186	SU170	SU178	SU186
	l	9801306	9801307	9801308	滚动轴承			Ball Bearing			1	
m	9801205	9801206	9801203	6205	6206	6207	6205	6206	6207	2		
n	9801202	9801203		6202	6203		6202	6203		2		
o	9802008			滚针轴承7941/8			Needle Bearing 7941/8			1		
p	9802015			滚针轴承37941/15			Needle Bearing 37941/15			1		

易损件 EASY DESTROYED PARTS

序号 NO.	编号 CODE			名称 DESCRIPTION			英文名称 DESCRIPTION			数量 QUANTITIES		
	SU170	SU178	SU186	SU170	SU178	SU186	SU170	SU178	SU186	SU170	SU178	SU186
	A	7004100	7804100	8604100	油环部件			Oil Ring Set			1	
B	7004001	7004001	8604001	第一道气环			First Gas Ring			1		
C	7004002	7004002	8604002	第二道气环			Second Gas Ring			1		
D	7004005	7804005	8604005	连杆轴瓦			Crank Pin Bearing			2		
E	9701025	9701302	9701351	油封			Oil Seal			1		
F	9701301		9701351	油封			Oil Seal			1		
G	7013000	7813000	8613000	喷油咀			Nozzle Valve			1		
H	7002011			隔热套			Spacer			1		
I	7010300	7810300	8610300	柴油滤芯部件			Filter Element Assem			1		
J	7007100		8607100	空气滤芯部件			Air Cleaner Element Assem			1		
K	7001013	7801013	8601013	气缸盖垫片			Cylinder Head Gasket			1		
L	7011008			油封SG8×14×2.5			Oil Seal SG8×14×2.5			1		
M	7001008	7801008	8601008	密封圈			Ring			1		
N	9702010			O形密封圈10×1.9			O-Ring 10×1.9			1		
O	9702024			O形密封圈24×2.4			O-Ring 24×2.4			2		
P	9702025			O形密封圈25×2.4			O-Ring 25×2.4			1		
Q	9702012			O形密封圈12×1.9			O-Ring 12×1.9			1		
R	9702345			O形密封圈34.5×1.8			O-Ring 34.5×1.8			1		
S	9702132			O形密封圈13.2×1.9			O-Ring 13.2×1.9			1		

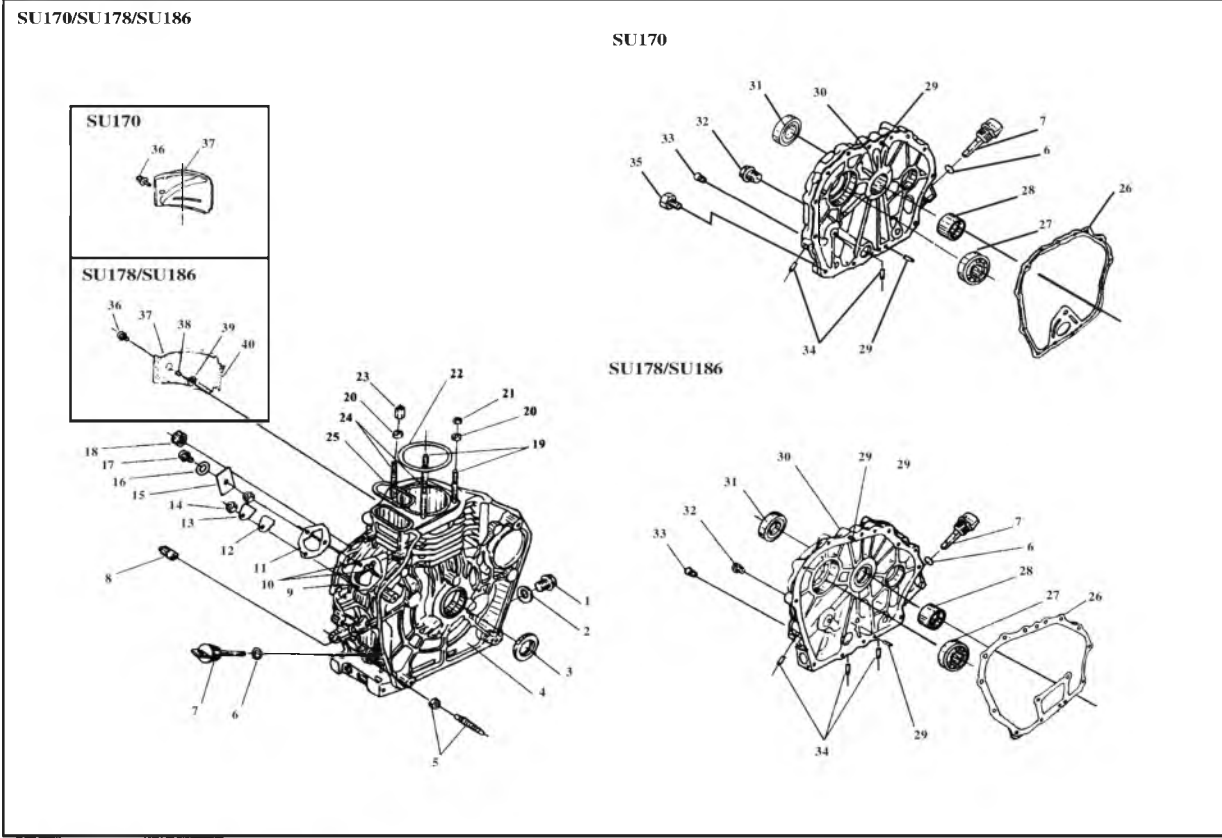
油封 SEALS

序号 NO.	编号 CODE			名称 DESCRIPTION			英文名称 DESCRIPTION			数量 QUANTITIES		
	SU170	SU178	SU186	SU170	SU178	SU186	SU170	SU178	SU186	SU170	SU178	SU186
	E	9701025	9701302	9701351	油封			Oil Seal			1	
F	9701301		9701351	油封			Oil Seal			1		
L	7011008			油封SG8×14×2.5			Oil Seal SG8×14×2.5			1		

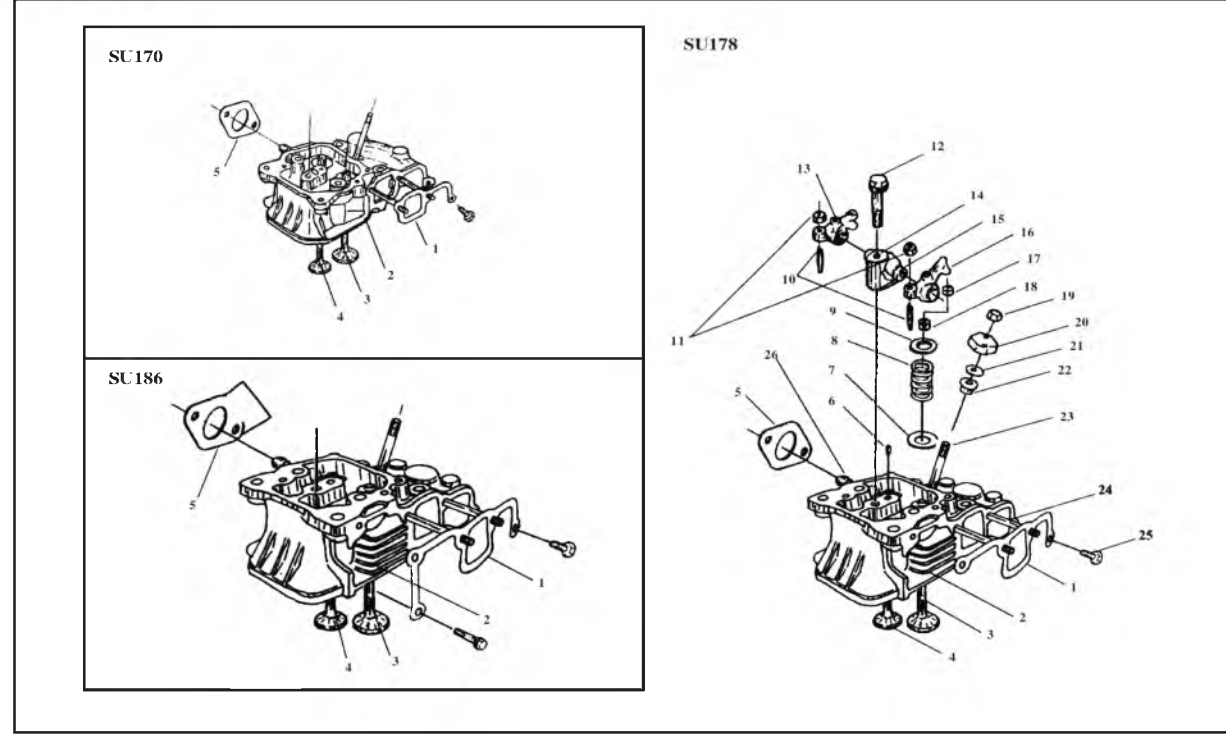
主要螺栓、螺母拧紧力矩一览表 TORQUE FOR TIGHTEN UP MAIN SCREW BOLT AND NUT
单位: 牛顿·米 unit: N·m

序号 NO.	名称 Description	型号 Model	SU170	SU178	SU186
1	连杆螺母 Connecting rod nut		25~30		40~45
2	气缸盖螺母 Cylinder head nut		28~32	42~46	54~58
3	飞轮螺母 Fly wheel nut		120~130		130~150
4	喷油器压板螺母 Nozzle retainer		10~12		
5	摇臂座紧固螺栓 Tight screw bolt of Rocker support		20~22		43~47
6	标准M6螺栓 Standard M6 bolt		10~12		
7	标准M8螺栓 Standard M8 bolt		18~22		

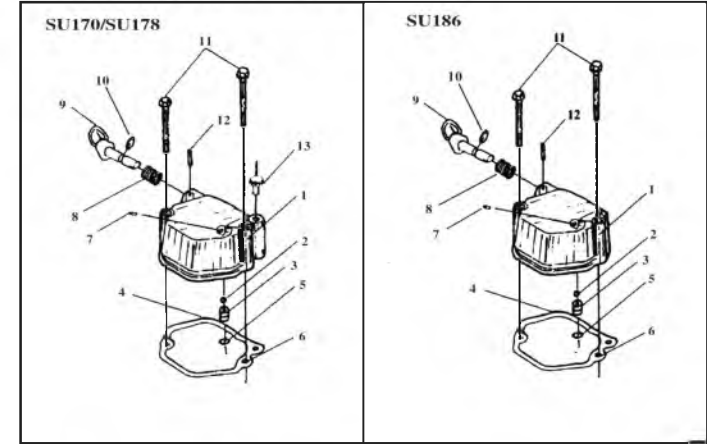
1 机体总成 CYLINDER BLOCK ASSEMBLY



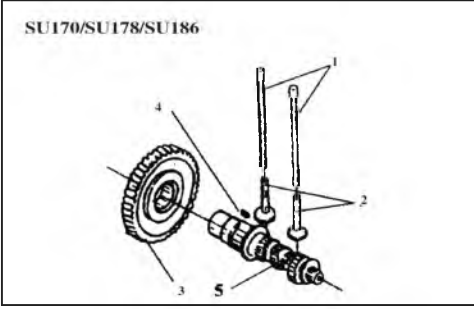
2 气缸盖总成 CYLINDER HEAD ASSEMBLY



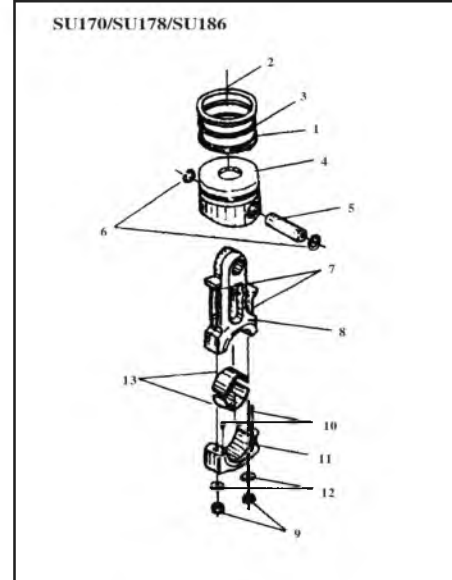
3 气缸盖罩总成 CYLINDER HEAD BONNET ASSEMBLY



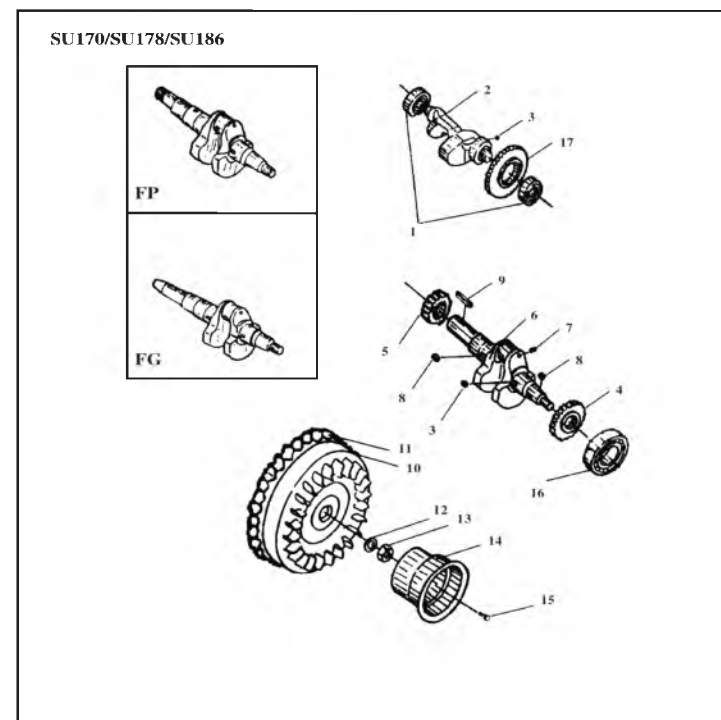
6 凸轮轴总成 CAMSHAFT ASSEMBLY



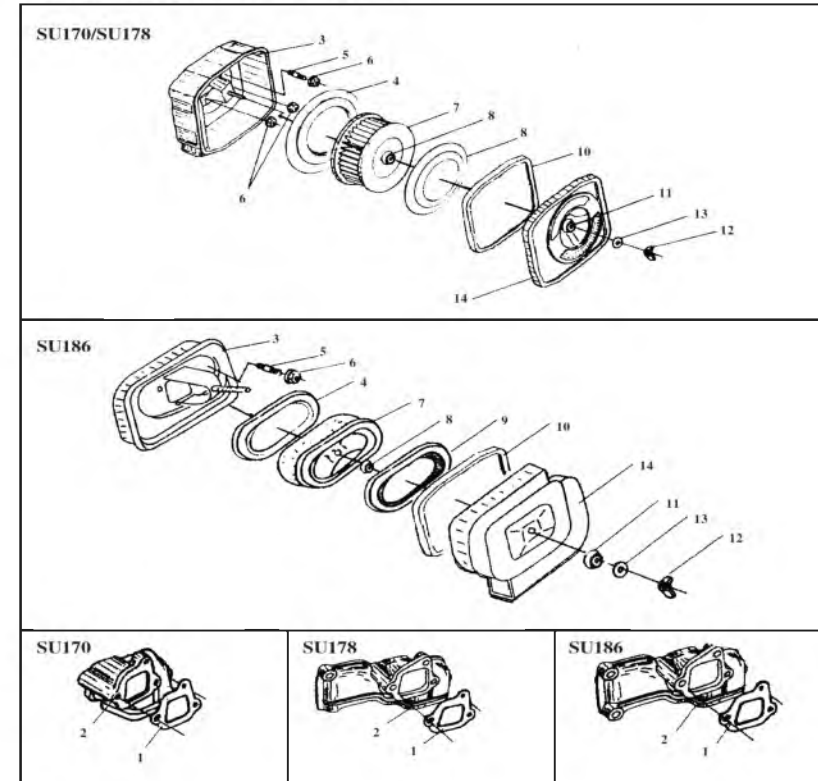
4 活塞连杆总成 PISTON & CONNECTING ROD ASSEMBLY



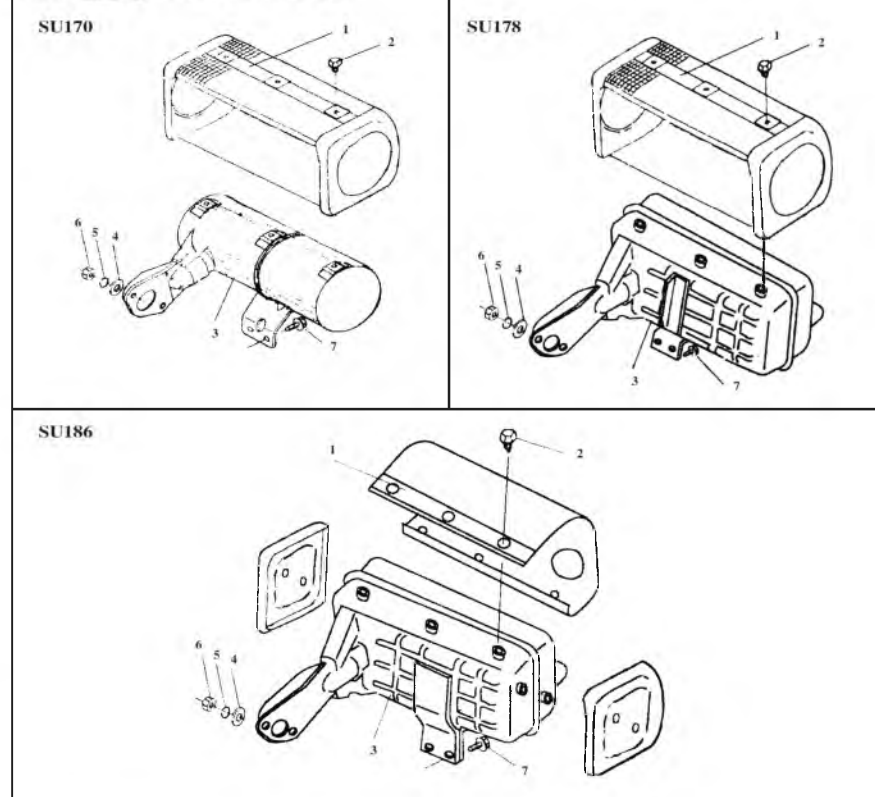
5 曲轴飞轮总成 CRANK SHAFT & FLYWHEEL ASSEMBLY



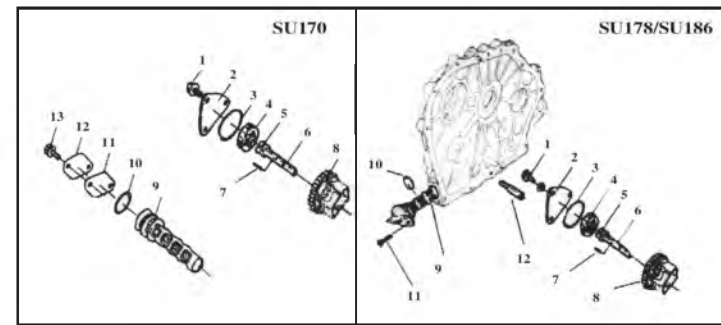
7 进气系统总成 AIR CLEANER ASSEMBLY



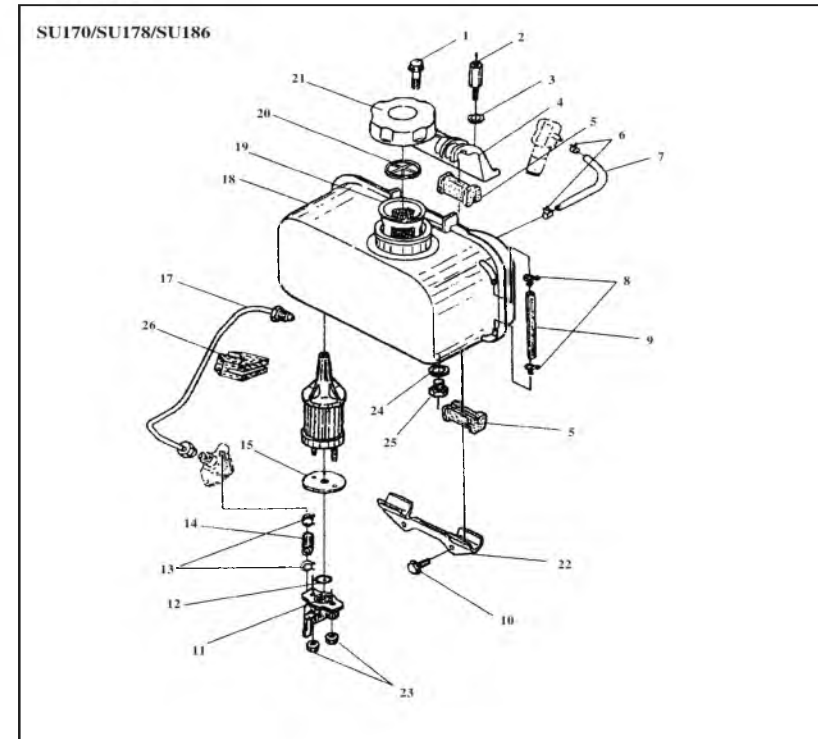
8 消声器总成 SILENCER ASSEMBLY



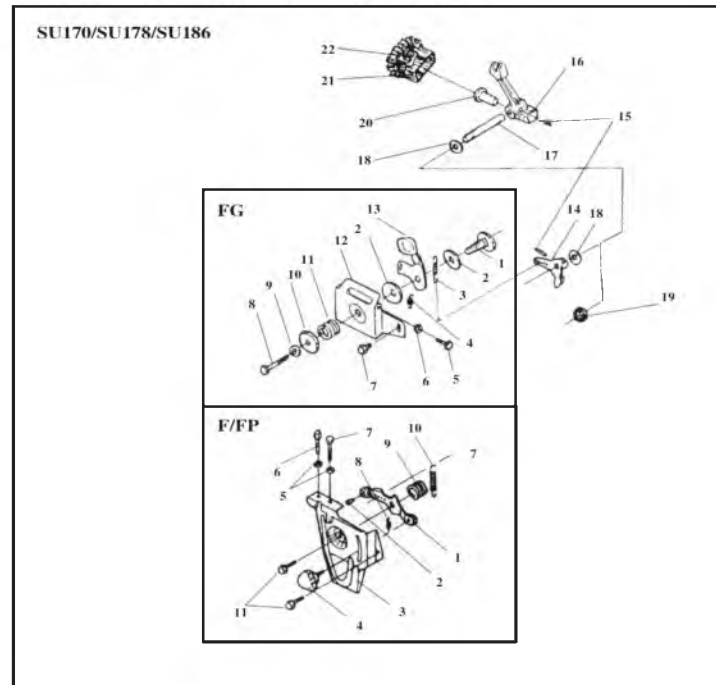
9 润滑系统总成 LUBE OIL SYSTEM



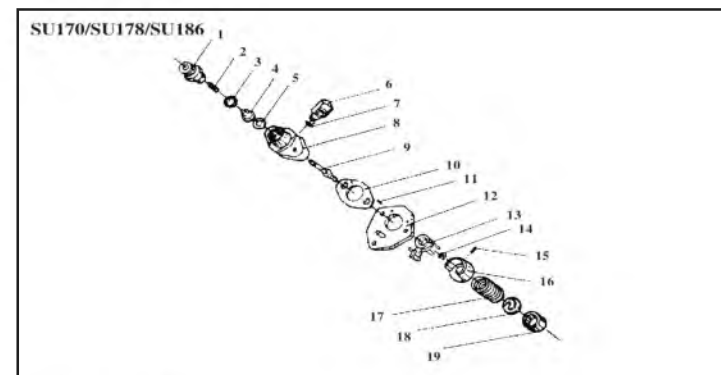
10 燃油系统 FUEL TANK & FUEL PIPE ASSEMBLY



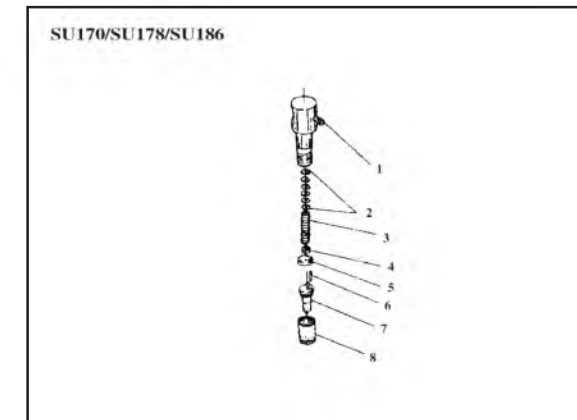
11 调速及操纵系统 GOVERNOR & CONTROL SYSTEM



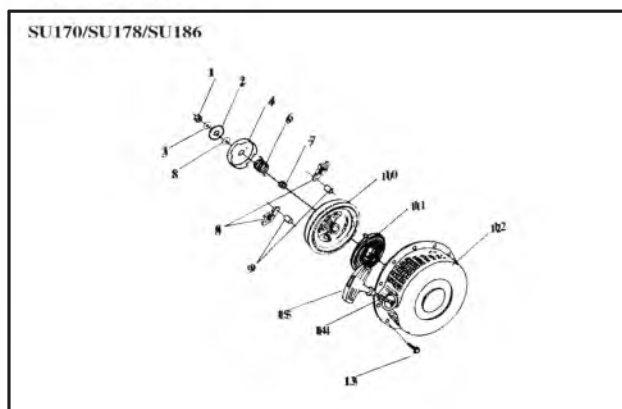
12 喷油泵总成 FUEL INJECTION PUMP ASSEMBLY



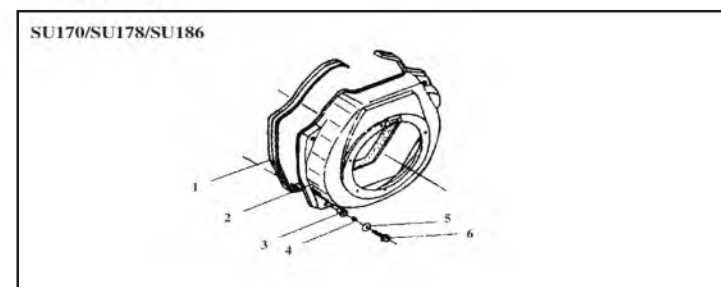
13 喷油器总成 FUEL NOZZLE ASSEMBLY



14 手拉启动总成 RECOIL STARTER ASSEMBLY



15 导风罩总成 COOLING DEVICE ASSEMBLY



16 起动机及发电机系统 STARTER & GENERATOR ASSEMBLY

